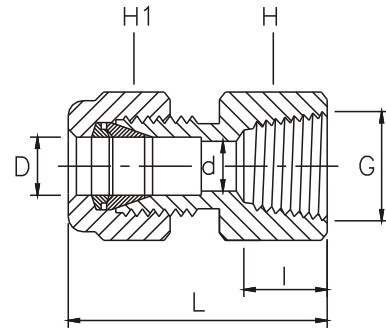


## FEMALE CONNECTOR - METRIC TUBING

TUBE O.D. D	NPT FEMALE PIPE SIZE G	WINSEAL NUMBER	L	I	MINIMUM OPENING d	H	H1
6	1/8	-6FC - 7 - 2TG	31.3	10.4	4.8	14	12
6	1/4	-6FC - 7 - 4TG	35.8	15.0	4.8	19	14
6	3/8	-6FC - 7 - 4TG	37.6	15.0	4.8	22	14
6	1/2	-6FC - 7 - 8TG	42.5	19.8	4.8	27	14
8	1/4	-8FC - 7 - 4TG	37.0	15.0	6.4	19	16
8	3/8	-8FC - 7 - 6TG	38.5	15.0	6.4	22	16
8	1/2	-8FC - 7 - 8TG	43.3	19.8	6.4	27	16
10	1/8	-10FC - 7 - 2TG	33.0	10.4	7.9	18	19
10	1/4	-10FC - 7 - 4TG	37.8	15.0	7.9	19	19
10	3/8	-10FC - 7 - 6TG	39.4	19.5	7.9	22	19
10	1/2	-10FC - 7 - 8TG	44.2	19.8	7.9	27	19
12	1/8	-12FC - 7 - 2TG	35.5	10.4	8.3	22	22
12	1/4	-12FC - 7 - 4TG	40.3	15.0	9.5	22	22
12	3/8	-12FC - 7 - 6TG	41.9	15.0	9.5	22	22
12	1/2	-12FC - 7 - 8TG	46.7	19.8	9.5	27	22
12	3/4	-12FC - 7 - 12TG	49.0	20.6	9.5	35	22
20	1/2	-20FC - 7 - 8TG	47.9	19.8	15.9	30	32
20	3/4	-20FC - 7 - 12TG	49.7	20.6	15.9	35	32
22	3/4	-22FC - 7 - 12TG	49.7	20.6	18.3	35	32
22	1	-22FC - 7 - 16TG	57.9	25.4	18.3	40	32
25	3/4	-25FC - 7 - 12TG	53.4	20.6	21.8	35	40
25	1	-25FC - 7 - 16TG	62.3	25.4	21.8	40	40



## FEMALE CONNECTOR - FRACTIONAL TUBING

TUBE O.D. D	NPT FEMALE PIPE SIZE G	WINSEAL NUMBER	L	I	MINIMUM OPENING d	H	H1
1/16	1/16	-11FC-7-1TG	.93	.39	.05	7/6	5/16
1/16	1/8	-11FC-7-2TG	.96	.41	.05	9/16	5/16
1/8	1/8	-21FC-7-2TG	1.13	.41	.09	9/16	7/16
1/8	1/4	-21FC-7-4TG	1.32	.59	.09	3/4	7/16
3/16	1/8	-31FC-7-2TG	1.17	.39	.12	9/16	1/2
1/4	1/8	-41FC-7-2TG	1.23	.39	.19	9/16	9/16
1/4	1/4	-41FC-7-4TG	1.41	.59	.19	3/4	9/16
1/4	3/8	-41FC-7-6TG	1.48	.59	.19	7/8	9/16
1/4	1/2	-41FC-7-8TG	1.67	.78	.19	1-1/16	9/16
5/16	1/8	-51FC-7-2TG	1.26	.39	.25	9/16	5/8
5/16	1/4	-51FC-7-4TG	1.45	.59	.25	3/4	5/8
3/8	1/8	-61FC-7-2TG	1.29	.39	.28	5/8	11/16
3/8	1/4	-61FC-7-4TG	1.48	.59	.28	3/4	11/16
3/8	3/8	-61FC-7-6TG	1.54	.59	.28	7/8	11/16
3/8	1/2	-61FC-7-8TG	1.73	.78	.28	1-1/16	11/16
3/8	3/4	-61FC-7-12TG	1.88	.81	.28	1-5/16	11/16
1/2	1/4	-81FC-7-4TG	1.59	.59	.41	13/16	7/8
1/2	3/8	-81FC-7-6TG	1.65	.59	.41	7/8	7/8
1/2	1/2	-81FC-7-8TG	1.84	.78	.41	1-1/16	7/8
1/2	3/4	-81FC-7-12TG	1.90	.81	.41	1-5/16	7/8
5/8	3/8	-101FC-7-6TG	1.65	.59	.50	15/16	1
5/8	1/2	-101FC-7-8TG	1.84	.78	.50	1-1/16	1
3/4	1/2	-121FC-7-8TG	1.84	.78	.62	1-1/16	1-1/8
3/4	3/4	-121FC-7-12TG	1.90	.81	.62	1-5/16	1-1/8
7/8	3/4	-141FC-7-12TG	1.96	.81	.72	1-5/16	1-1/4
1	3/4	-161FC-7-12TG	2.10	.81	.88	1-3/8	1-1/2
1	1	-161FC-7-16TG	2.45	1.00	.88	1-5/8	1-1/2