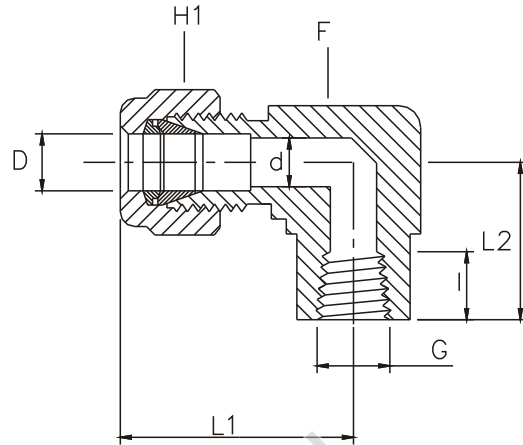
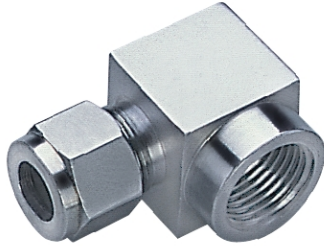


FEMALE ELBOW-METRIC TUBING

TUBE O.D. D	NPT FEMALE PIPE SIZE G	WINSEAL NUMBER	L1	I	MINIMUM OPENING d	H1	L2	F
6	1/8	-6FE - 8 - 2TG	26.9	9.9	4.8	14.0	19.0	14.0
6	1/4	-6FE - 8 - 4TG	29.7	14.9	4.8	14.0	22.3	19.0
6	3/8	-6FE - 8 - 6TG	31.7	14.9	4.8	14.0	22.3	22.0
6	1/2	-6FE - 8 - 8TG	34.5	19.8	4.8	14.0	28.4	27.0
8	1/8	-8FE - 8 - 2TG	28.7	9.9	6.3	16.0	19.0	15.0
8	1/4	-8FE - 8 - 4TG	30.4	14.9	6.3	16.0	22.3	19.0
10	1/8	-10FE - 8 - 2TG	30.4	9.9	7.1	19.0	19.0	18.0
10	1/4	-10FE - 8 - 4TG	31.2	14.9	7.1	19.0	22.3	19.0
10	3/8	-10FE - 8 - 6TG	33.2	14.9	7.1	19.0	22.3	22.0
10	1/2	-10FE - 8 - 8TG	36.0	19.8	7.1	19.0	28.4	27.0
12	1/4	-12FE - 8 - 4TG	36.0	14.9	10.4	22.0	22.3	22.0
12	3/8	-12FE - 8 - 6TG	36.0	14.9	10.4	22.0	22.3	22.0
12	1/2	-12FE - 8 - 8TG	38.8	19.8	10.4	22.0	28.4	27.0



FEMALE ELBOW-FRACTIONAL TUBING

TUBE O.D. D	NPT FEMALE PIPE SIZE G	WINSEAL NUMBER	L1	I	MINIMUM OPENING d	H1	L2	F
1/8	1/8	-2IFE - 8 - 2TG	.97	.41	.09	7/16	.75	9/16
1/8	1/4	-2IFE - 8 - 4TG	1.08	.59	.09	7/16	.88	3/4
3/16	1/8	-3IFE - 8 - 2TG	1.00	.39	.12	1/2	.75	9/16
1/4	1/8	-4IFE - 8 - 2TG	1.06	.39	.19	9/16	.75	9/16
1/4	1/4	-4IFE - 8 - 4TG	1.17	.59	.19	9/16	.88	3/4
1/4	3/8	-4IFE - 8 - 6TG	1.25	.59	.19	9/16	.88	7/8
1/4	1/2	-4IFE - 8 - 8TG	1.36	.78	.19	9/16	1.12	1-1/16
5/16	1/8	-5IFE - 8 - 2TG	1.13	.39	.25	5/8	.75	9/16
5/16	1/4	-5IFE - 8 - 4TG	1.20	.59	.25	5/8	.88	3/4
3/8	1/8	-6IFE - 8 - 2TG	1.20	.39	.28	11/16	.75	5/8
3/8	1/4	-6IFE - 8 - 4TG	1.23	.59	.28	11/16	.88	3/4
3/8	3/8	-6IFE - 8 - 6TG	1.31	.59	.28	11/16	.88	7/8
3/8	1/2	-6IFE - 8 - 8TG	1.42	.78	.28	11/16	1.12	1-1/16
1/2	1/4	-8IFE - 8 - 4TG	1.42	.59	.41	7/8	.88	7/8
1/2	3/8	-8IFE - 8 - 6TG	1.42	.59	.41	7/8	.88	7/8
1/2	1/2	-8IFE - 8 - 8TG	1.53	.78	.41	7/8	1.12	1-1/16
5/8	3/8	-10IFE - 8 - 6TG	1.50	.59	.50	1	.88	7/8
5/8	1/2	-10IFE - 8 - 8TG	1.57	.78	.50	1	1.12	1-1/16
3/4	1/2	-12IFE - 8 - 8TG	1.57	.78	.62	1-1/8	1.12	1-1/16
3/4	3/4	-12IFE - 8 - 12TG	1.76	.81	.62	1-1/8	1.25	1-1/4
7/8	3/4	-14IFE - 8 - 12TG	1.76	.81	.72	1-1/4	1.25	1-1/4
1	3/4	-16IFE - 8 - 12TG	1.93	.81	.88	1-1/2	1.25	1-3/8
1	1	-16IFE - 8 - 16TG	1.11	1.00	.88	1-1/2	1.50	1-1/2